

Text for tender documents, product description

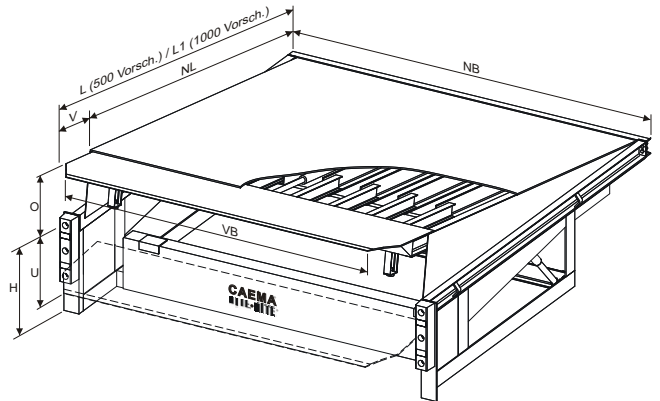
# CAEMA Rite-Hite Hydraulic Dock Leveller with Telescopic Lip

## Model: CHVB-S 9500

Telescopic Lip 1000 mm  
Automatic Return to Dock Position

**Dimensions:**

- Nominal width **NB:** XXXX mm
  - Nominal length **NL:** XXXX mm
  - Telescopic lip extended **V :** 1000 mm
  - Tapered lip **VB:** XXXX mm
  - Total length **L1 :** NL+V mm
  - Service range up **O :** XXXX mm
  - Service range down **U :** XXXX mm
  - Closed height **H :** XXXX mm
  - Capacity **T :** XXXX kN
- ( XXXX see quotation or tender document )



Dock Leveller	NL	V	L1	O	U	H	NB	VB*1	Tapered Lip
CHVB-S 9500	(mm)	(mm)	(mm)	(mm)	(mm)	(mm)	(mm)	(mm)	(mm)
	2000	900	2900	375	400	720	1500	1470	Option
	2500	1000	3500	400	400	720	1750	1720	Option
	3000	1000	4000	400	450	820	2000	1970	Option
	3500	1000	4500	420	450	820	2250	2000	2/125/190
	4000	1000	5000	400	500	900	2400	2000	2/200/340
	4500	1000	5500	400	550	900	VB*1 Applies for all nominal lengths (NL)		

**Standard Features:**

- GS - certificate Nr.: 04099
- Compliant with ZH 1/156 and EN 1398
- Anti-slip deck plate 8 mm, tread plate
- Telescopic lip segment guided by 4 roller bearings
- Hydraulic system includes:
  - Hydraulic emergency stop
  - Automatic height adjustment
- Electrical system includes:
  - Micro-processor controls
  - 400/230V, 24V secondary voltage
  - Automatic stop after power failure or emergency stop
  - 4 Push button operation with automatic return to dock position
  - Forced lip retraction if nominal width (NB) is over 2000 mm
  - Power cables adjusted to pit size
- Steel construction painted RAL 5010
- Yellow/black warning stripes on integral toeguard
- Front curtain out of black PVC
- 2 Rubber bumpers 400x90x80 mm

**Options:**

- Telescopic lip with sliding segments instead of tapered lip
- Dock box
- Zinc-plated finish
- Weatherseals
- Foam insulation - Styrodur
- IGLU 1600 insulation - ISO panel
- Abrasive ramp surface - KVS
- RAL colour of choice
- Rubber bump. 500x250x80 mm
- Rubber bump. 500x250x140 mm
- Steel bumper model \_\_\_\_\_
- Other: \_\_\_\_\_

**Remark:** Other dimensions, features and options are available on request!