

Text for tender documents, product description

## CAEMA Rite-Hite Hydraulic Dock Leveller with Hinge Lip

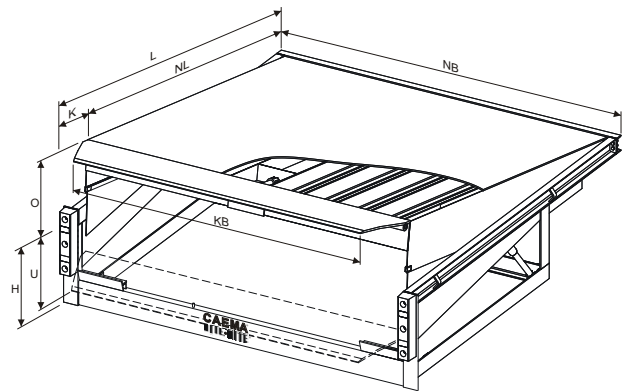
### Model: CHKB-S 8000

Hinge Lip 400 mm / Option: Hinge Lip 500 mm

#### Dimensions:

Nominal width	<b>NB:</b>	XXXX mm
Nominal length	<b>NL:</b>	XXXX mm
Hinge lip extended	<b>K*:</b>	400 mm
Tapered lip	<b>KB:</b>	XXXX mm
Total length	<b>L :</b>	NL+K mm
Service range up	<b>O :</b>	XXXX mm
Service range down	<b>U :</b>	XXXX mm
Closed height	<b>H :</b>	XXXX mm
Capacity	<b>T :</b>	XXXX kN

( XXXX see quotation or tender document )



Dock Leveller	NL	K*	L	O	U	H	NB	KB*1	Tapered Lip
CHKB-S 8000	(mm)	(mm)	(mm)	(mm)	(mm)	(mm)	(mm)	(mm)	(mm)
<b>METRIC SIZES</b>	2000	400	2400	320	320	620	1500	1500	Option
	2500	400	2900	365	360	620	1750	1750	Option
	3000	400	3400	460	340	700	2000	2000	Option
	3500	400	3900	530	350	700	2250	2000	2/125/330
	4000	400	4400	400	550	900	2400	2000	2/200/330
	4500	400	4900	400	600	900	KB*1 Applies for all nominal lengths (NL)		
<b>FOOT SIZES</b>	2260	400	2660	320	320	620	1830	1830	Option
	2860	400	3260	365	360	620	1980	1980	Option
							2100	1980	2/60/330
							KB*1 Applies for all nominal lengths (NL)		

K\* As option available with length of 500 mm, minimum closed height (H) is 720 mm!

#### Standard Features:

- GS - certificate Nr.: 04100
- Compliant with ZH 1/156 and EN 1398
- Anti-slip deck plate, tread plate
- Hinge lip
- Hydraulic system includes:
  - Hydraulic emergency stop
  - Automatic height adjustment
- Compact aggregat 400/230V, 50 Hz
- Electrical system includes:
  - Automatic stop after power failure or emergency stop
  - 1 Push button operation
  - Power cables adjusted to pit size
- Steel construction painted RAL 5010
- Yellow/black warning stripes on integral toeguard
- 2 Rubber bumpers 400x90x80 mm

#### Options:

- Hinge lip with 500 mm length
- Tapered lip for NB <= 2000 mm
- Dock leveller as pit model
- Pit steel with anchors (pit mod.)
- Dock box
- Zinc-plated finish
- Weatherseals
- Foam insulation - Styrodur
- IGLU 1600 insulation - ISO panel
- Abrasive ramp surface - KVS
- RAL colour of choice
- Rubber bump. 500x250x80 mm
- Rubber bump. 500x250x140 mm
- Steel bumper model \_\_\_\_\_
- Other: \_\_\_\_\_

**Remark:** Other dimensions, features and options are available on request!